



GLOBAL
FIRE EQUIPMENT

DATA SHEET

3 I/O

Triple Input / Output Module

Features:

The Triple Input/Output Module is a fully monitored device which permits the interfacing of third party equipment with the Fire Alarm Control panel using three normally open dry contact connections while also providing three changeover output relays to control ancillary equipment. The connections to the input are monitored for fault (open or short circuit) and Alarm conditions.

The output relays require an external 24Vdc supply. Relay operation is confirmed by an onboard red LEDs, a yellow general Fault LED is also provided.

The 3 I/O occupies three consecutive addresses on the detection Loop.

The interface is used to monitor the contacts of an external system which must be interfaced to the Fire Alarm System, for example a Flow Switch in a sprinkler system to indicate if the sprinklers have been activated or extinguishant level monitoring in Gas Extinguishing

systems etc.

The output relays can be programmed to close fire doors, activate smoke removal systems etc. An external 24 volt DC power supply is required to power the relays, this supply is optically isolated from the Address Loop. The Addressable I/O module is available as an electronic module with four fixing holes.

Resistance values: for Input

Fault - Short circuit to 2K2 or 50k to Open Circuit

Normal - 8K2 to 50k

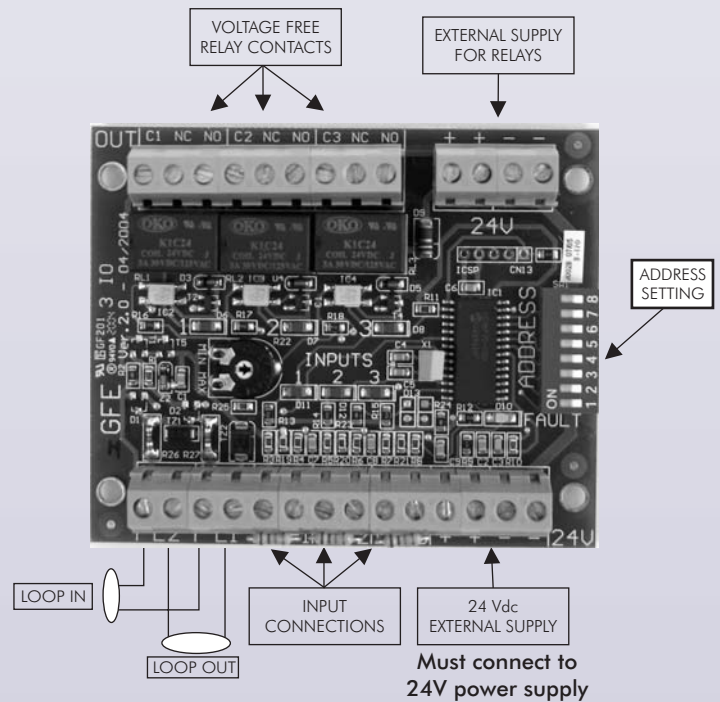
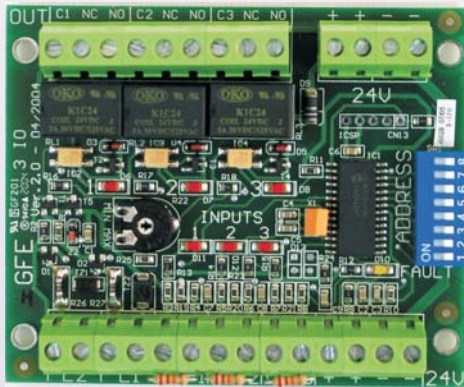
Fire - 2K2 to 8K2

Output Relay:

Three N/O or N/C contacts.

Contact rating 50Vdc,

1A Resistive Loading



SPECIFICATIONS

SUPPLY		DIMENSIONS (UNBOXED)	
LOOP CURRENT QUIESCENT	0,7mA	WEIGHT (UNBOXED)	80 grams
LOOP CURRENT INPUT ALARM	3,1mA	OPERATING TEMPERATURE	0 - 40°C
LOOP CURRENT MAX. RELAY ACTIVE	18,1mA	STORAGE TEMPERATURE	-10 - 50°C
RELAY CONTACT RATING	50 Vdc / 1A Resistive	HUMIDITY	<85 %Rh non condensing
EXTERNAL SUPPLY VOLTAGE	24 Vdc nom	PROTECTION CATEGORY	N/A
EXTERNAL CURRENT QUIESCENT	3,1mA	MAX CABLE SIZE	2,5 mm ²
EXTERNAL CURRENT MAX.	18,1mA	ORDERING INFORMATION	3 I/O